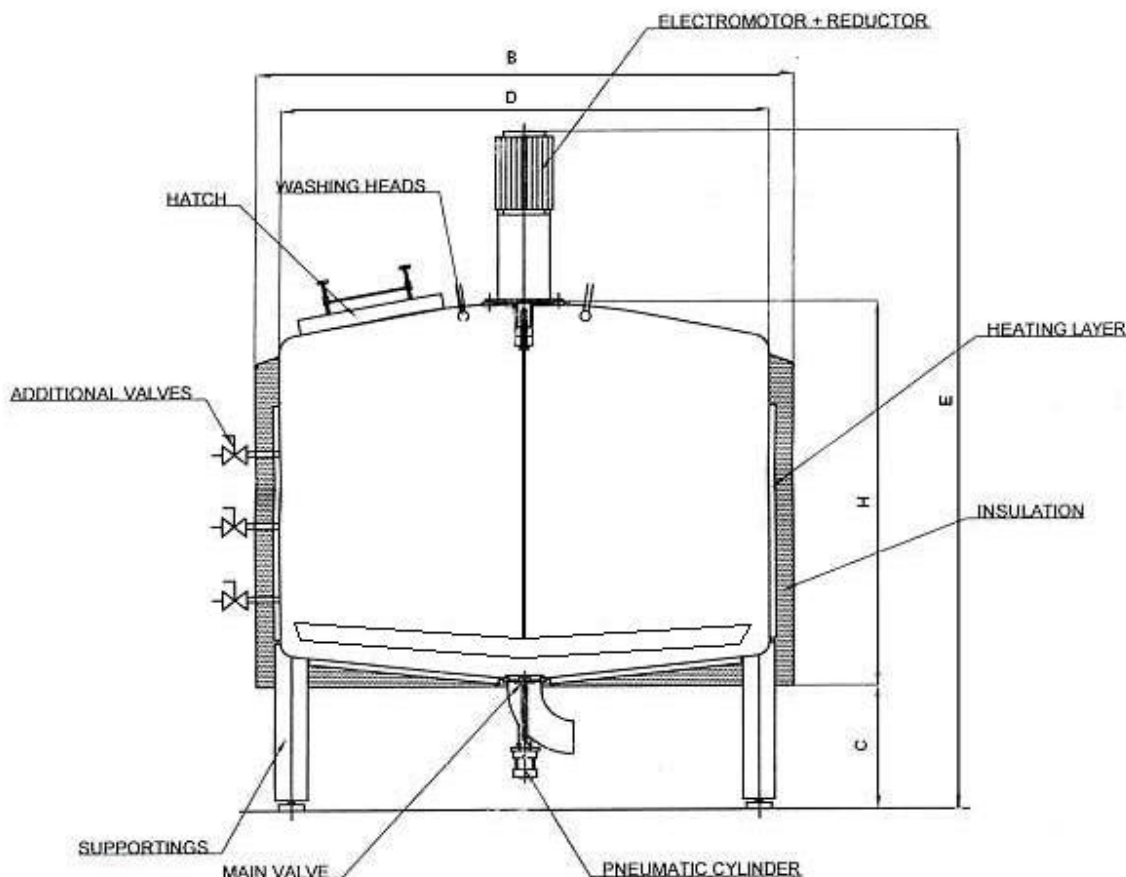


## Compact Brewing Plant P2000 – P6000: (mash tun, wort boiler)



Type	Heating power ( kW ) Electrical heater	Heating power ( kW ) Oil / gas *	Measures (mm)				
			Diameter D	H	C	B	E
P 2000	(18-40 )	65-95	1800	1280	485	1900	2170
P 3000	/	95-200	1900	1510	485	2000	2670
P 4000	/	95-200	2100	1660	450	2250	2750
P 5000	/	95-200	2100	1960	450	2250	3050
P 6000	/	95-200	2500	1700	450	2650	2800

### **BASIC EQUIPMENT:**

- **Compact Brewing Plant for automatic mashing and wort boiling process**
- Three coat energy saving insulated kettle made of stainless steel 1.4301
- Electro motor with 30 rpm for mixer
- Outlet DN65 capacity
- Steering case with electronic steering for heating temperature
- Pump for circulation of heating and cooling water
- Medium temperature sensor in the vessel
- Frequency inverter for setting mixer's rotation between 0 up to 40 rpm by mixing
- Automatic steering heating/cooling process; GPC 145 multifunction controller
- heating with oil/gas oven (up to 100 °C), electro-magnetic valve
- In function together with lauter tun and whirlpool tank